



# WARN Industrial Winch

Model	Part Number	Motor Type
Series 30XL-LP Hydraulic Winch Manual Clutch	80511	Hydraulic 14.6 ci (240cc)



The Warn Series XL product line combines durable cast iron construction, high efficiency hydraulic motor, and a robust 2X rated load braking system with a permanently lubricated and hardened 2-stage planetary gear train for superior intermittent-duty performance for loads up to 30,000 lbs. Winches are also available with manual or air clutches and 2 drum widths. A roller tension plate is standard along with bi-directional operation and a variety of mounting options to fit a variety of applications.

Warn Series XL winches are not suitable for hoisting applications or movement of persons.

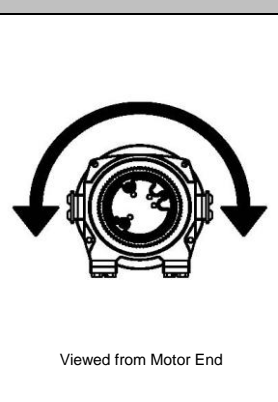
### Accessories

Description:	Part Number
Fairlead SRS-XL-LONG	77869
Wire Rope Assembly 5/8"x245' EIPS	77454
Snatch Block XL-60K LB	80858

### Engineering Data

Rated Pulling Force:	30000 lbf	13608 kgf
Drum Barrel Diameter:	6.25 in	159 mm
Drum Flange Diameter:	13.50 in	343 mm
Distance Between Flanges:	14 in	356 mm
Recommended Maximum Wire Rope Diameter:	5/8 in	15.9 mm
Recommended Minimum Wire Rope Breaking Strength:	41200 lbf	18688 kgf
Approximate Shipping Weight:	361 lb	164 kg
Duty Cycle (intermittent per SAE J706 section 6.2):	1000 ft	30.5 m
Mounting Bolt Torque:	159 ft*lb	216 N*m
Maximum Layers of Wire Rope:	5	
Gear Reduction:	36:1	
Brake Type:	Spring Applied Disk	
Contact / Remote Type:	N/A	

### Drum Rotation



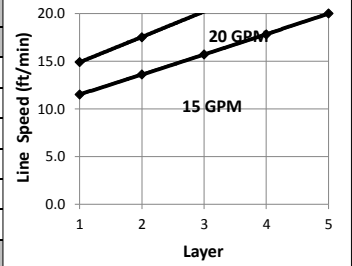
### Standards Compliance

- SAE J706
- CE Machinery Directive 98/37/EC and 2006/42/EC

### Performance By Layer- 5/8" (15.9 mm) dia. rope

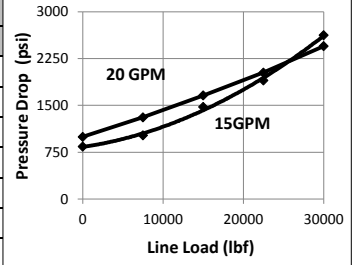
Drum Layer	Line Load *			Line Speed 15 GPM		Line Speed 20 GPM		Drum Capacity	
	lbf	kgf	kN	ft/min	m/min	ft/min	m/min	ft	m
1	30000	13608	133.4	11.5	3.5	14.9	4.5	36	11.0
2	25385	11514	112.9	13.6	4.1	17.5	5.3	78	23.8
3	22000	9979	97.9	15.7	4.8	20.2	6.2	127	38.7
4	19412	8805	86.3	17.8	5.4	22.9	7.0	183	55.8
5	17368	7878	77.3	20.0	6.1	25.5	7.8	245	74.7

\* Never exceed the Rated Pulling Force. Installation of a Rated Capacity Limiter is recommended.



### First Layer Performance

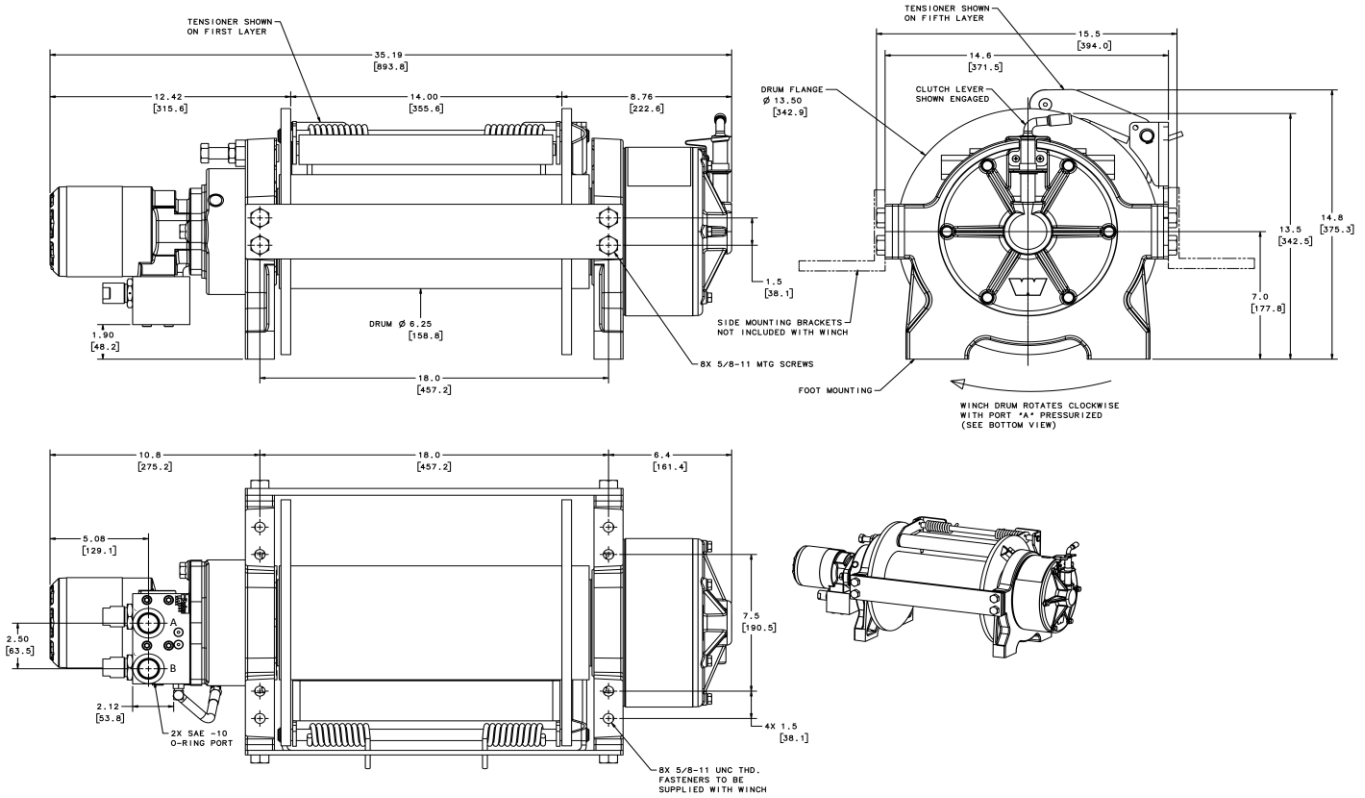
Line Load		Pressure Drop at 15 GPM		Pressure Drop at 20 GPM		Duty Cycle
lbf	kgf	psi	BAR	psi	BAR	min/10min
0	0	840	57.9	995	68.6	N/A
7500	3402	1020	70.3	1308	90.2	N/A
15000	6804	1475	101.7	1660	114.5	N/A
22500	10206	1900	131.0	2025	139.6	N/A
30000	13608	2625	181.0	2450	168.9	N/A





# WARN Industrial Winch

Model	Part Number	Motor Type
Series 30XL-LP Hydraulic Winch Manual Clutch	80511	Hydraulic 14.6 ci (240cc)



Motor / Contactor may be rotated in 90 degree increments. Clutch housing may be rotated in 60 degree increments.

Units are given in inches [millimeters], unless otherwise specified

Recommended Mounting- Always Observe Correct Drum Rotation			Hydraulic System Specifications		
Pull from bottom of winch	Pull from bottom of winch	Pull from top of winch	Maximum System Pressure:	3000 psi	207 BAR
			Maximum Motor Pressure Drop:	3000 psi	207 BAR
Feet down	Feet forward	Feet forward	Maximum Rated Input Flow:	20 GPM	76 LPM
Pull from top of winch	Pull from top of winch	Pull from top of winch	Control Valve Type:	3-position, 4-way, open center, spring return (motor spool)	
			<b>Control Valve Schematic</b>		
Feet down without angle brace	Feet down with angle brace	Angle Braces Only			
			Note: Drum rotates clockwise with Port A pressurized when viewed from gearbox end.		

**WARN INDUSTRIES, INC**  
Industrial Products

Customer Service (North America): 1.800.543.9276  
Customer Service (International): 1.503.722.3008  
FAX: 1.503.722.3000 www.warn.com

12900 S.E. Capps Road,  
Clackamas, OR USA 97015