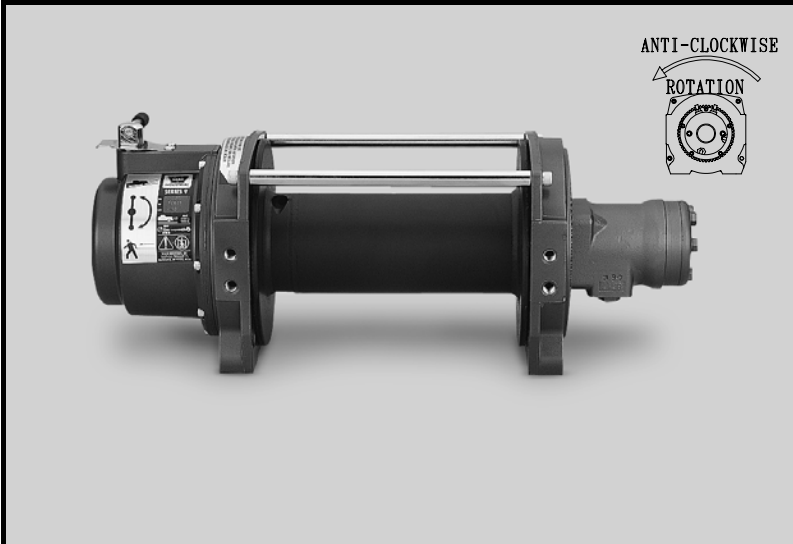


WARN INDUSTRIAL WINCH

WINCH MODEL	PART NUMBER	TYPE
SERIES 9 HYD	PN 30279	HYDRAULIC 3.0 cu in



02/11/02

The Series 9 hydraulic features a 2-stage planetary gear train with a total reduction of 27:1. This winch uses a heavy duty automatic disc brake and a locking clutch lever. The 4" (102mm) steel drum provides excellent durability for the wire rope. Designed to meet SAE J706 and CE standards.

ENGINEERING DATA:

- **Maximum rated load :** 9000 lbs (4091kg)
- **Maximum wire rope recommended:** 1/2" 26600 lbs (12091kg) minimum breaking strength
- **Maximum input flow:** 12 USGPM (45 L/MIN)
- **Drum barrel diameter:** 4.0" (102 mm)
- **Drum flange diameter:** 8.24" (209 mm)
- **Distance between flanges:** 9.95" (253 mm)
- **Hydraulic Motor:** 3.0 cu in (49.2 cc)
- **Gear ratio:** 27:1
- **Approximate shipping weight:** 77 lbs (35 kg)

STANDARDS COMPLIANCE:

- SAE J706
- NFPA 1901-74
- CE Machinery Directive 98/37/EEC

PERFORMANCE DATA:

LAYER	LINE LOAD		LINE SPEED at 12 GPM (45 l/m in.)		WIRE ROPE CAPACITY 3/8" WIRE ROPE	
	lb.	kg	ft/m in.	m/m in.	ft.	meters
1	9000	4091	47	14.3	24	7.3
2	7670	3486	56	17.0	53	16.2
3	6710	3050	65	19.7	87	26.5
4	5940	2700	73	22.4	126	38.4
1 st LAYER	LINE LOAD		PRESSURE DROP			
	lb.	kg	psi	bar		
	0	0	300	21		
	3000	1364	1050	72		
	6000	2727	1900	131		
	9000	4091	2600	179		

AVAILABLE ACCESSORIES:

- Roller Fairlead
- pn 24336 (black)
- pn 30859 (chrome)
- Wire rope tension plate
- pn 31149
- Remote clutch kit
- pn 38316 (mechanical)
- pn 31256 (air)

WARN INDUSTRIES, INC. INDUSTRIAL PRODUCTS

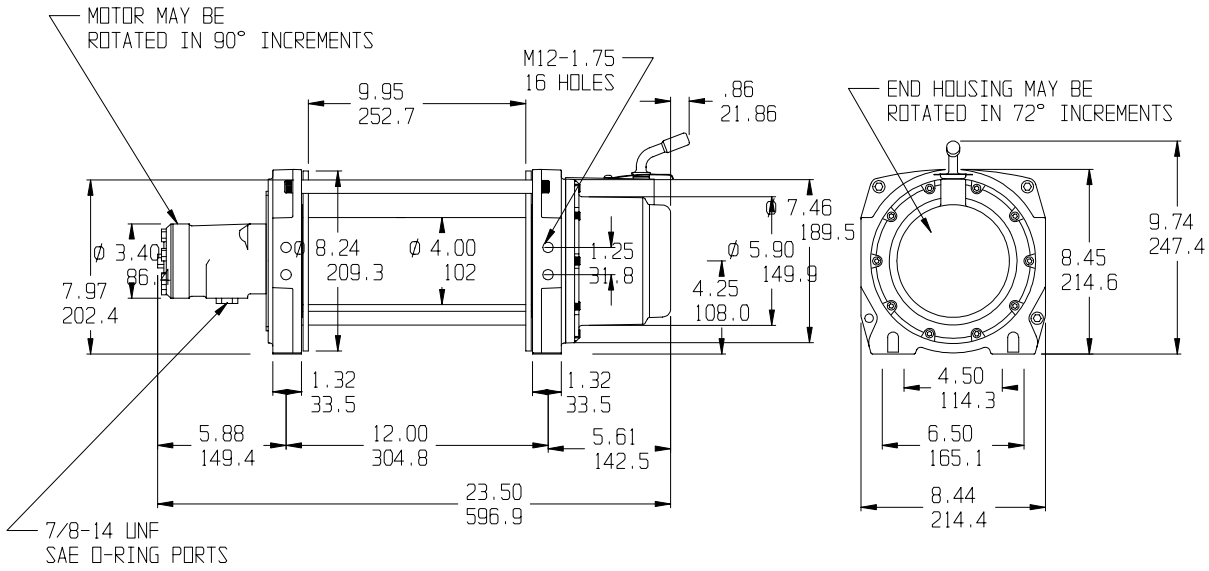
12900 S.E. Capps Road, Clackamas, OR USA 97015-8903
 Customer Service (in North America): 1.800.543.9276
 Customer Service (international): 1.503.722.3008
 Fax:1.503.722.3000 www.warn.com



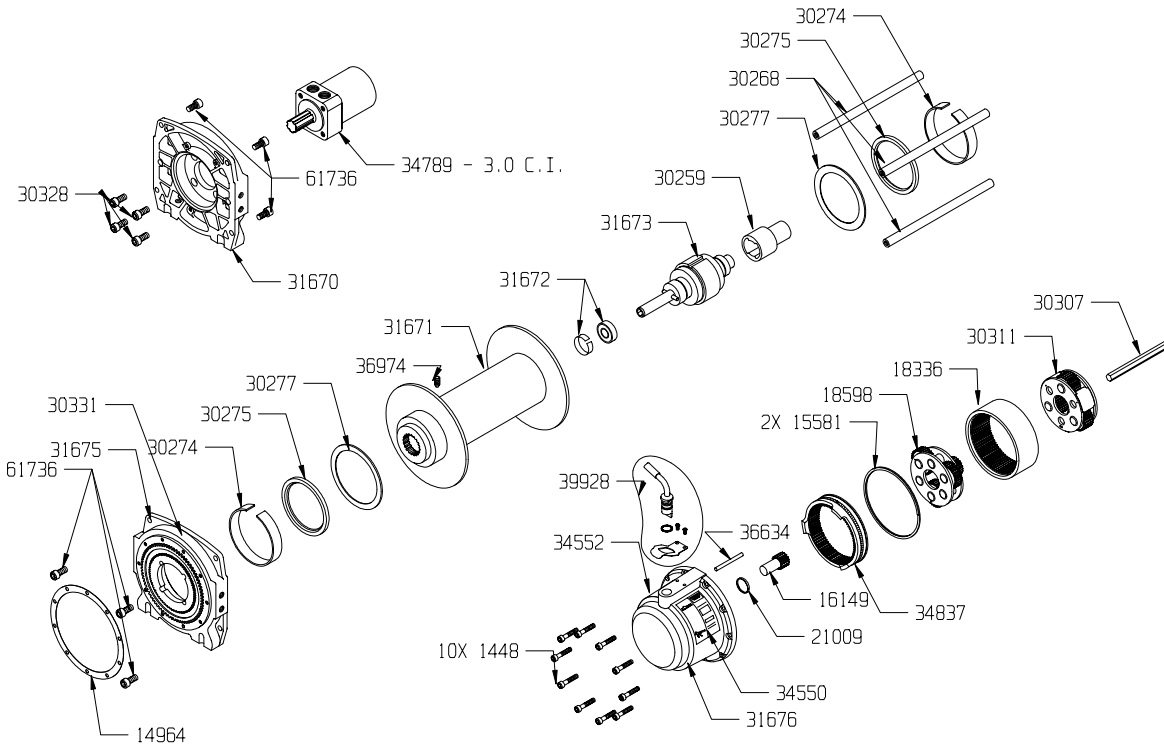
WARN INDUSTRIAL WINCH

WINCH MODEL	PART NUMBER	TYPE
SERIES 9 HYD	PN 30279	HYDRAULIC 3.0 cu in

DIMENSIONAL DATA



REPLACEMENT PARTS



WARN INDUSTRIES, INC. INDUSTRIAL PRODUCTS

12900 S.E. Capps Road, Clackamas, OR USA 97015-8903
 Customer Service (in North America): 1.800.543.9276
 Customer Service (international): 1.503.722.3008
 Fax: 1.503.722.3000 www.warn.com

