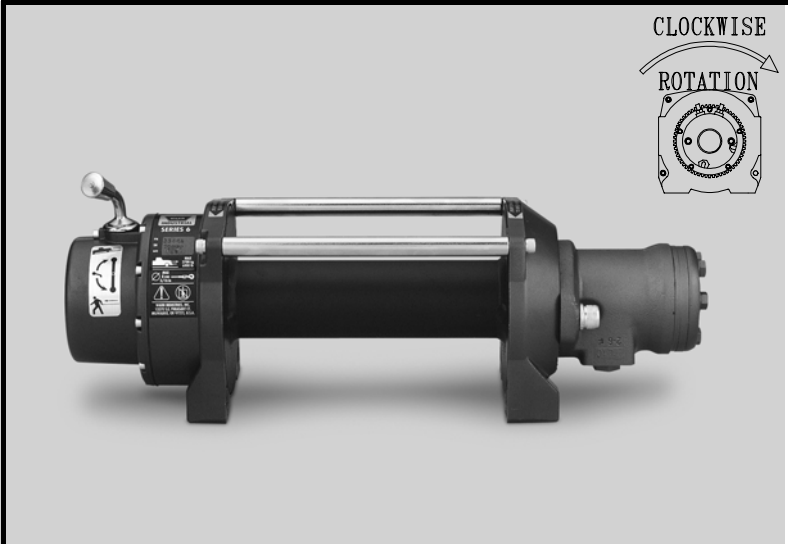


**WARN INDUSTRIAL WINCH**

WINCH MODEL	PART NUMBER	TYPE
<b>SERIES 6 HYD</b>	PN 33446	<b>HYDRAULIC 3.0 cu in</b>



07/17/02

The Series 6 hydraulic features a 2-stage planetary gear train with a total reduction of 26:1. This winch uses hardened steel geartrain and a rugged dual-cone brake. Designed to meet SAE J706 and CE standards.

**ENGINEERING DATA:**

- **Maximum rated load :** 6000 lbs (2727kg)
- **Maximum wire rope recommended:** 5/16" 10500 lbs (4773kg) minimum breaking strength
- **Maximum input flow:** 12 USGPM (45 L/MIN)
- **Drum barrel diameter:** 2.5" (64 mm)
- **Drum flange diameter:** 6.0" (152 mm)
- **Distance between flanges:** 8.92" (227 mm)
- **Hydraulic Motor:** 3.0 cu in (49.2 cc)
- **Gear ratio:** 26:1
- **Approximate shipping weight:** 40 lbs ( 18 kg )

**STANDARDS COMPLIANCE:**

- SAE J706

**PERFORMANCE DATA:**

LAYER	LINE LOAD		LINE SPEED at 12 GPM (45 l/m in.)		WIRE ROPE CAPACITY 5/16" WIRE ROPE	
	lb.	kg	ft/m in.	m/m in.	ft.	meters
1	6000	2727	26	7.9	19	5.8
2	4910	2232	30	9.1	42	12.8
3	4150	1886	34	10.4	70	21.3
4	3600	1636	38	11.6	102	31.1
1 st LAYER	LINE LOAD		PRESSURE DROP			
	lb.	kg	psi	bar		
	0	0	250	17		
	2000	909	650	45		
	4000	1818	1000	69		
	6000	2727	1300	90		

**AVAILABLE ACCESSORIES:**

- Roller Fairlead  
- pn 24335(black)  
- pn 30860 (chrome)
- Wire rope tension plate  
- pn 34373

**WARN INDUSTRIES, INC. INDUSTRIAL PRODUCTS**

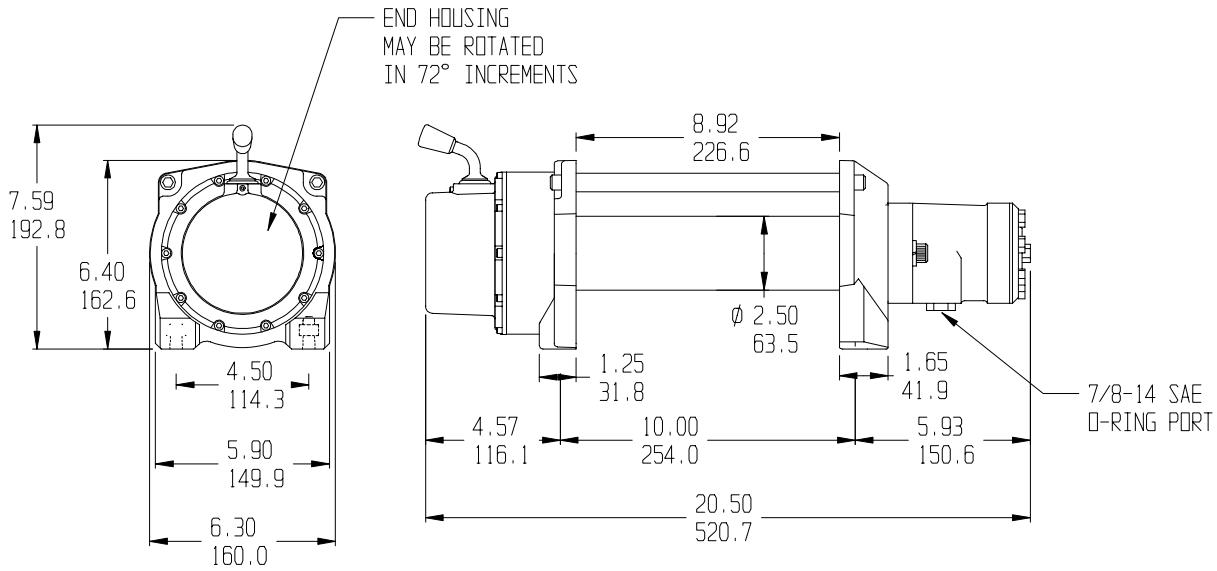
12900 S.E. Capps Road, Clackamas, OR USA 97015-8903  
 Customer Service (in North America): 1.800.543.9276  
 Customer Service (international): 1.503.722.3008  
 Fax:1.503.722.3000 www.warn.com



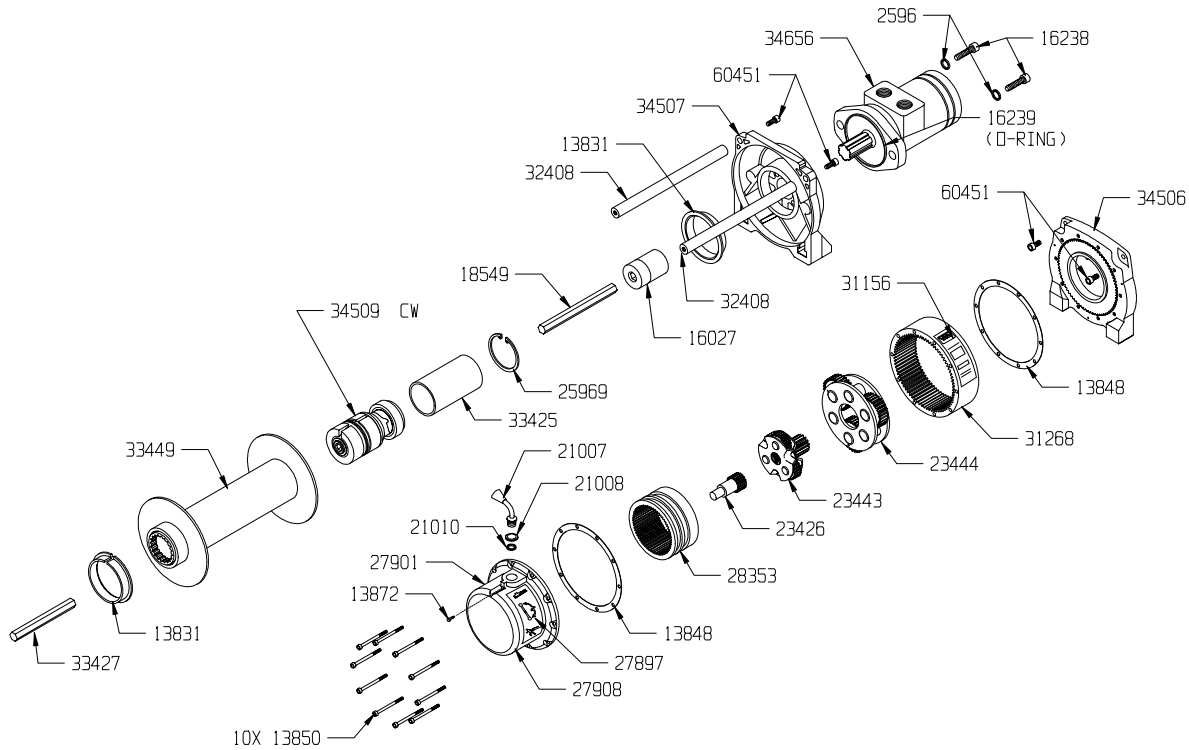
# WARN INDUSTRIAL WINCH

WINCH MODEL	PART NUMBER	TYPE
<b>SERIES 6 HYD</b>	PN 33446	<b>HYDRAULIC 3.0 cu in</b>

## DIMENSIONAL DATA



## REPLACEMENT PARTS



## WARN INDUSTRIES, INC. INDUSTRIAL PRODUCTS

12900 S.E. Capps Road, Clackamas, OR USA 97015-8903  
 Customer Service (in North America): 1.800.543.9276  
 Customer Service (international): 1.503.722.3008  
 Fax: 1.503.722.3000 www.warn.com

