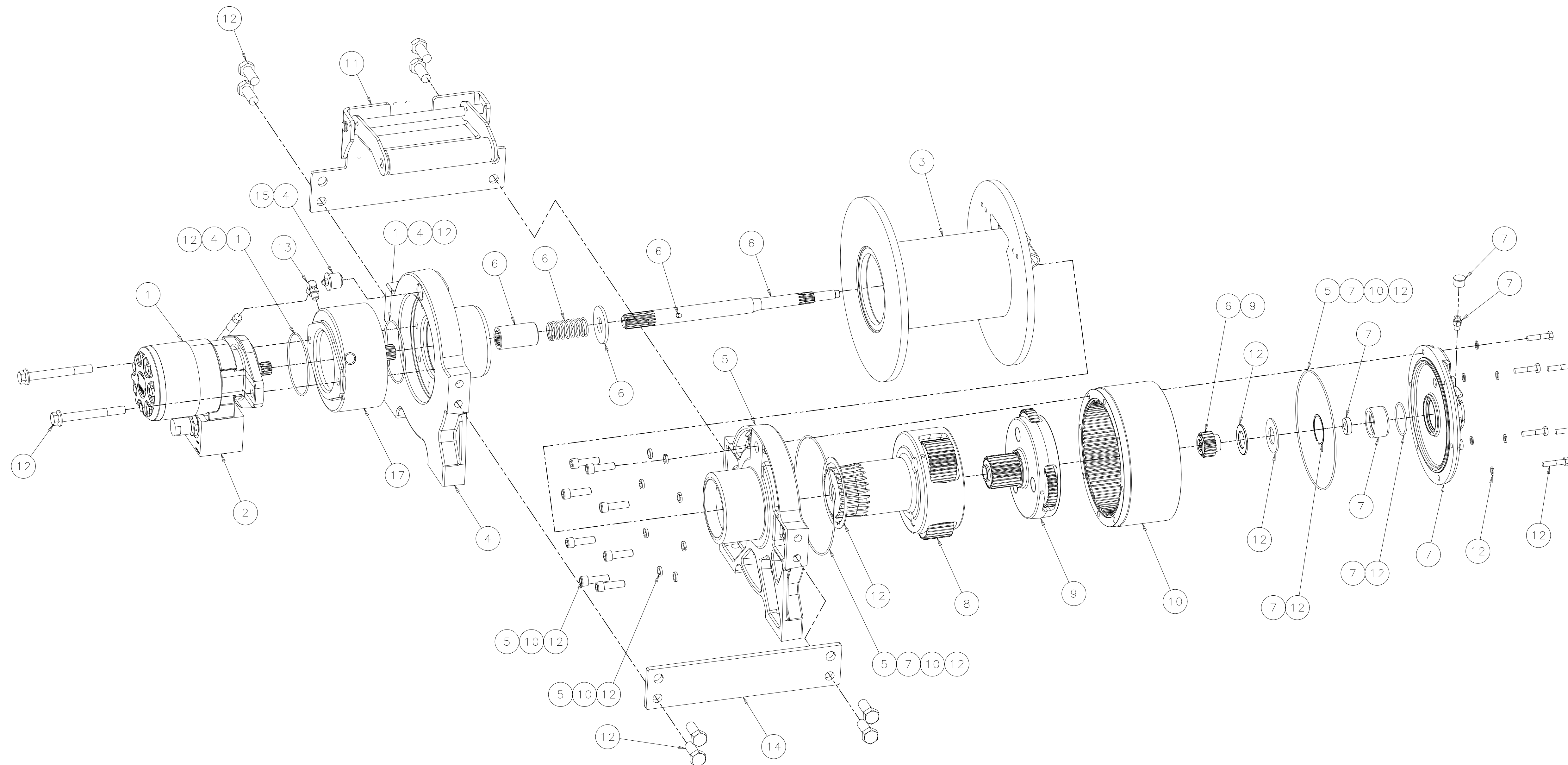


CONFIDENTIAL
 THIS DOCUMENT CONTAINS PROPRIETARY INFORMATION OF WARN INDUSTRIES. NEITHER THIS DOCUMENT, NOR THE INFORMATION IT CONTAINS, MAY BE USED, DISCLOSED TO OTHERS, OR COPIED, WHOLE OR IN PART, WITHOUT THE WRITTEN CONSENT OF WARN INDUSTRIES.



ITEM	QTY	DESCRIPTION	PART NO.
1	1	SVC KIT-MOTOR-HYD-TF0130	87059
2	1	SVC KIT-CB VALVE-HYD-PARKER 410125	87019
3	1	SVC KIT-DRUM ASSY-20K-STD	77437
4	1	SVC KIT-DRUM SUPPORT-MTR END-RETARDER	86174
5	1	SVC KIT-DRUM SUPPORT-GEAR END	77439
6	1	SVC KIT-DRIVESHAFT-STD	77440
7	1	SVC KIT-END HSG ASSY-AIR	77441
8	1	SVC KIT-CARRIER-STG2-6.0-4.75	77442
9	1	SVC KIT-CARRIER-STG1-6.0-4.75	77443
10	1	SVC KIT-RING GEAR	77444
11	1	SVC KIT-TENSIONER-STD	77445
12	1	SVC KIT-HARDWARE-SEAL	87057
13	1	SVC KIT-HOSE-HYD	77447
14	1	SVC KIT-TIE PLATE-STD	77448
15	1	SVC KIT-EXPANSION PLUG-1IN-RUBBER	86202
16	1	SVC KIT-WIRE ROPE ASSY-9/16 EIPS X 140FT	77451
17	1	SVC KIT-BRAKE ASSY	77436
18	1	SVC KIT-HYD-MTR-MANF-TF0130	87286

NOTES:
 1. WARN P/N 74750.
 2. ITEM 16- WIRE ROPE ASSY NOT SHOWN ON THIS DRAWING.

CO	24698	TRANSITION MOTOR & CBV FROM EATON TO PARKER.	KIP
BO	24488	REPLACED PN 77438 WITH PN 86174, ADDED PN 86202	VAMA
AO	23936	RELEASE	PL
REV	E.N. NO.	DESCRIPTION OF CHANGE	PROJ. ENGR.
REVISIONS			
WARN INDUSTRIES, INC. 12900 S.E. CAPPS ROAD, CLACKAMAS, OREGON USA 97015-8903			
DIMENSIONS & TOLERANCES IN ACCORDANCE WITH ANSI/ASME Y14.5M-1994			
THIRD ANGLE PROJECTION	SEE BOM		
DIMENSIONS ARE IN <input type="checkbox"/> MILLIMETERS <input checked="" type="checkbox"/> INCHES			
UNSPECIFIED TOLERANCES	TITLE		
ONE PLACE DEC. (X.X) ±	RPL-WINCH ASSY-SRS		
TWO PLACE DEC. (X.XX) ±	20XL-STD DRUM-AIR		
THREE PLACE DEC. (X.XXX) ±	DRWN	DATE	PROJECT ENGR
FOUR PLACE DEC. (X.XXXX) ±	V-SRINIVAS	2009/04/24	LINES
ANGULAR ±	SCALE	DRAWING NO.	
	1:4	SHEET 1 OF 1	D 986623