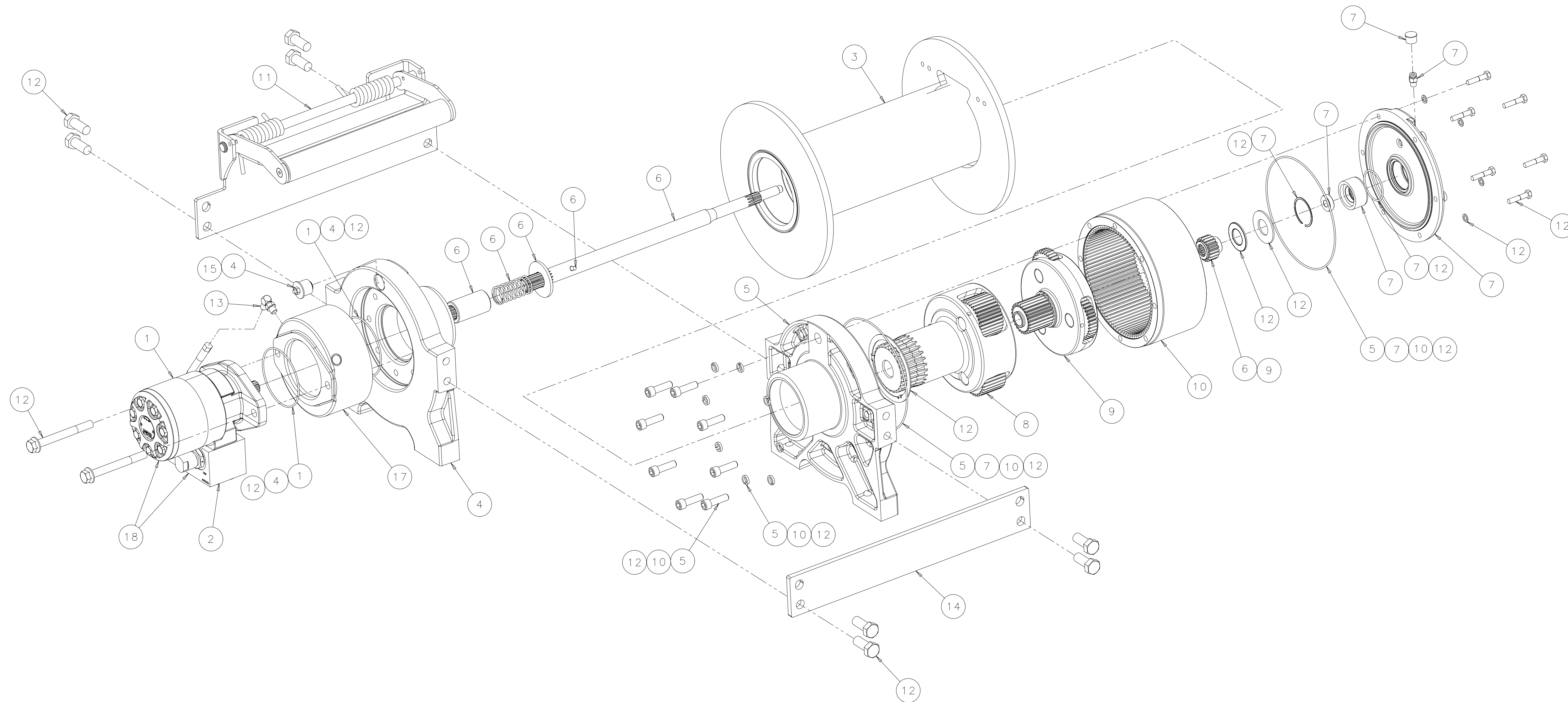


CONFIDENTIAL
 THIS DOCUMENT CONTAINS PROPRIETARY INFORMATION OF WARN INDUSTRIES. NEITHER THIS DOCUMENT, NOR THE INFORMATION IT CONTAINS, MAY BE USED, DISCLOSED TO OTHERS, OR COPIED, WHOLE OR IN PART, WITHOUT THE WRITTEN CONSENT OF WARN INDUSTRIES.



ITEM	QTY	DESCRIPTION	PART NO.
1	1	SVC KIT-MOTOR-HYD-TF0130	87059
2	1	SVC KIT-CB VALVE-HYD-PARKER 410125	87019
3	1	SVC KIT-DRUM ASSY-20K-LONG	79722
4	1	SVC KIT-DRUM SUPPORT-MTR END-RETARDER	86174
5	1	SVC KIT-DRUM SUPPORT-GEAR END	77439
6	1	SVC KIT-DRIVESHAFT-LONG	79723
7	1	SVC KIT-END HSG ASSY-AIR	77441
8	1	SVC KIT-CARRIER-STG2-6.0-4.75	77442
9	1	SVC KIT-CARRIER-STG1-6.0-4.75	77443
10	1	SVC KIT-RING GEAR	77444
11	1	SVC KIT-TENSIONER-LONG	79725
12	1	SVC KIT-HARDWARE-SEAL	87057
13	1	SVC KIT-HOSE-HYD	77447
14	1	SVC KIT-TIE PLATE-LONG	79726
15	1	SVC KIT-EXPANSION PLUG-1IN-RUBBER	86202
16	1	SVC KIT-WIRE ROPE ASSY-9/16 EIPS X 245FT	77452
17	1	SVC KIT-BRAKE ASSY	77436
18	1	SVC KIT-HYD-MTR-MANF-TF0130	87286

NOTES:
 1. WARN P/N 77560.
 2. ITEM 16- WIRE ROPE ASSY NOT SHOWN ON THIS DRAWING.

REV	E.N. NO.	DESCRIPTION OF CHANGE	PROJ. ENGR.
CO	24698	TRANSITION MOTOR & CBV FROM EATON TO PARKER.	KIP
BO	24488	REPLACED PN 77438 WITH PN 86174 AND ADDED PN 86202.	VAMA
AO	23936	RELEASE	PL
REVISIONS			
WARN INDUSTRIES, INC. 12900 S.E. CAPPS ROAD, CLACKAMAS, OREGON USA 97015-8903			
DIMENSIONS & TOLERANCES IN ACCORDANCE WITH ANSI/ASME Y14.5M-1994			
THIRD ANGLE PROJECTION		SEE BOM	
DIMENSIONS ARE IN <input type="checkbox"/> MILLIMETERS <input checked="" type="checkbox"/> INCHES		TITLE	
UNSPECIFIED TOLERANCES		RPL-WINCH ASSY-SRS	
ONE PLACE DEC. (X.X) ±		20XL-LONG-AIR	
TWO PLACE DEC. (X.XX) ±		DRAWN V-VALI	
THREE PLACE DEC. (X.XXX) ±		DATE 2009/04/24	
FOUR PLACE DEC. (X.XXXX) ±		PROJECT ENGR LINES	
ANGULAR ±		SCALE 1:4	
SCALE		SHEET 1 OF 1	
SCALE		D 986670	