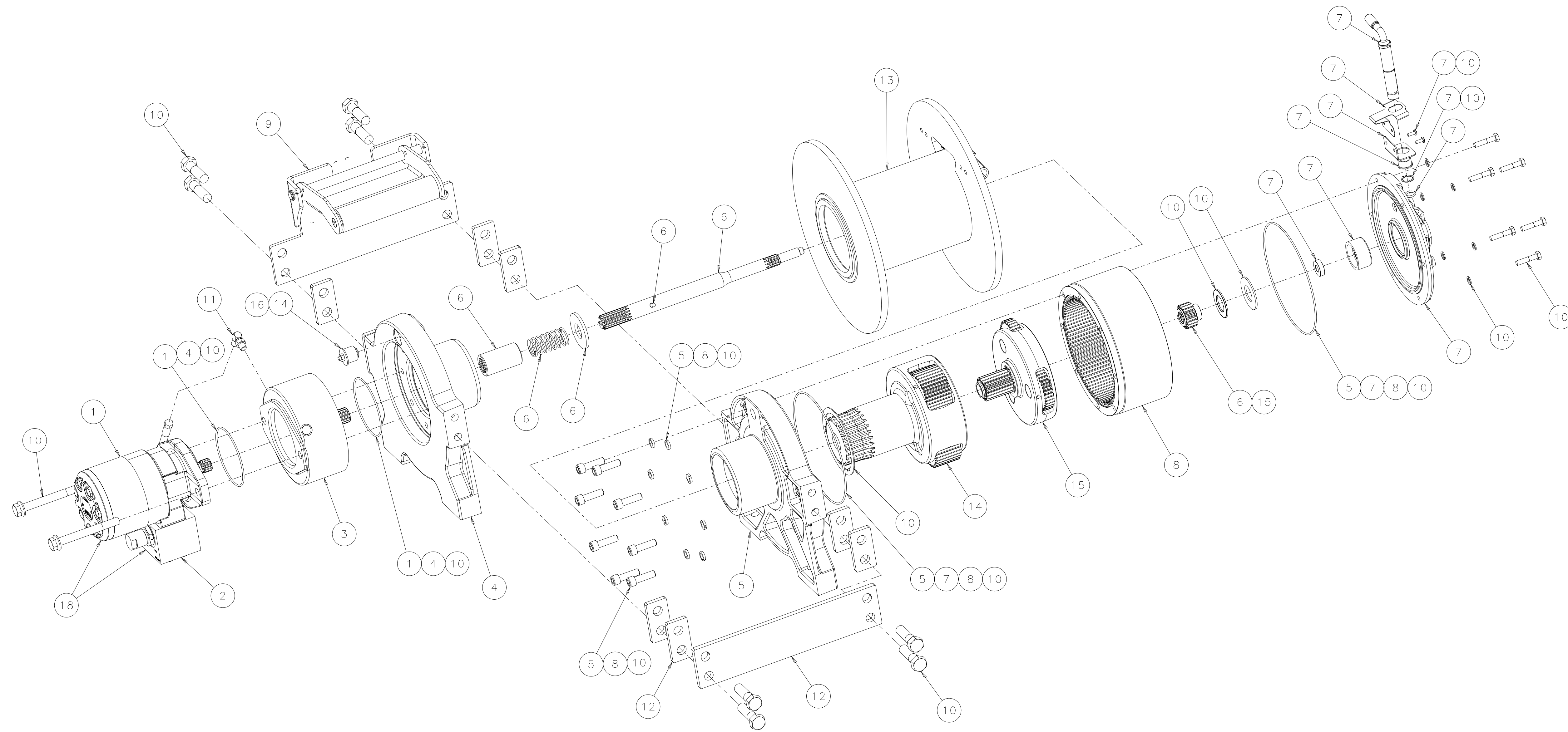


CONFIDENTIAL  
 THIS DOCUMENT CONTAINS PROPRIETARY INFORMATION OF WARN INDUSTRIES. NEITHER THIS DOCUMENT, NOR THE INFORMATION IT CONTAINS, MAY BE USED, DISCLOSED TO OTHERS, OR COPIED, WHOLE OR IN PART, WITHOUT THE WRITTEN CONSENT OF WARN INDUSTRIES.



| ITEM | QTY | DESCRIPTION                             | PART NO. |
|------|-----|---|----------|
| 1    | 1   | SVC KIT-MOTOR-HYD-TG0170                | 87018    |
| 2    | 1   | SVC KIT-CB VALVE-HYD-PARKER 410125      | 87019    |
| 3    | 1   | SVC KIT-BRAKE ASSY                      | 77436    |
| 4    | 1   | SVC KIT-DRUM SUPPORT-MTR END-RETARDER   | 86174    |
| 5    | 1   | SVC KIT-DRUM SUPPORT-GEAR END           | 77439    |
| 6    | 1   | SVC KIT-DRIVESHAFT-STD                  | 77440    |
| 7    | 1   | SVC KIT-END HSG ASSY-MANUAL             | 79724    |
| 8    | 1   | SVC KIT-RING GEAR                       | 77444    |
| 9    | 1   | SVC KIT-TENSIONER-STD                   | 77445    |
| 10   | 1   | SVC KIT-HARDWARE-SEAL                   | 87057    |
| 11   | 1   | SVC KIT-HOSE-HYD                        | 77447    |
| 12   | 1   | SVC KIT-TIE PLATE-STD                   | 77448    |
| 13   | 1   | SVC KIT-DRUM ASSY-30K-STD               | 80922    |
| 14   | 1   | SVC KIT-CARRIER-STG2-6.0-6.0            | 80924    |
| 15   | 1   | SVC KIT-CARRIER-STG1-6.0-6.0            | 80925    |
| 16   | 1   | SVC KIT-EXPANSION PLUG-1IN-RUBBER       | 86202    |
| 17   | 1   | SVC KIT-WIRE ROPE ASSY-5/8 EIPS X 140FT | 77453    |
| 18   | 1   | SVC KIT-HYD-MTR-MANF-TG0170             | 87288    |

NOTES:  
 1. WARN P/N 77880.  
 2. ITEM 16- WIRE ROPE ASSY NOT SHOWN ON THIS DRAWING.

| REV  | E.N. NO. | DESCRIPTION OF CHANGE                           | PROJ. ENGR. |
|--|----------|---|-------------|
| CO   | 24698    | TRANSITIONED MOTOR & CBV FROM EATON TO PARKER.  | KIP         |
| BO   | 24488    | REPLACED PN 77438 WITH PN 86174, ADDED PN 86202 | VAMA        |
| AO   | 23936    | RELEASE   | PL          |
| REVISIONS  |          |   |             |
| <b>WARN INDUSTRIES, INC.</b><br>12900 S.E. CAPPS ROAD,<br>CLACKAMAS, OREGON USA 97015-8903 |          |   |             |
| DIMENSIONS & TOLERANCES IN ACCORDANCE WITH ANSI/ASME Y14.5M-1994                           |          |   |             |
| THIRD ANGLE PROJECTION   |          | SEE BOM   |             |
| DIMENSIONS ARE IN <input checked="" type="checkbox"/> INCHES                               |          | MILLIMETERS                                     |             |
| UNSPECIFIED TOLERANCES   |          |   |             |
| ONE PLACE DEC. (X.X)   |          | ±   |             |
| TWO PLACE DEC. (X.XX)  |          | ±   |             |
| THREE PLACE DEC. (X.XXX)   |          | ±   |             |
| FOUR PLACE DEC. (X.XXXX)   |          | ±   |             |
| ANGULAR  |          | ±   |             |
| SCALE  |          | TITLE   |             |
| 1:4  |          | RPL-WINCH ASSY-SRS<br>30XL-STD DRUM-MANUAL      |             |
| SHEET 1 OF 1   |          | DRAWING NO. 986682                              |             |
| D  |          | DATE 2009/04/24 PROJECT ENGR. LINES             |             |