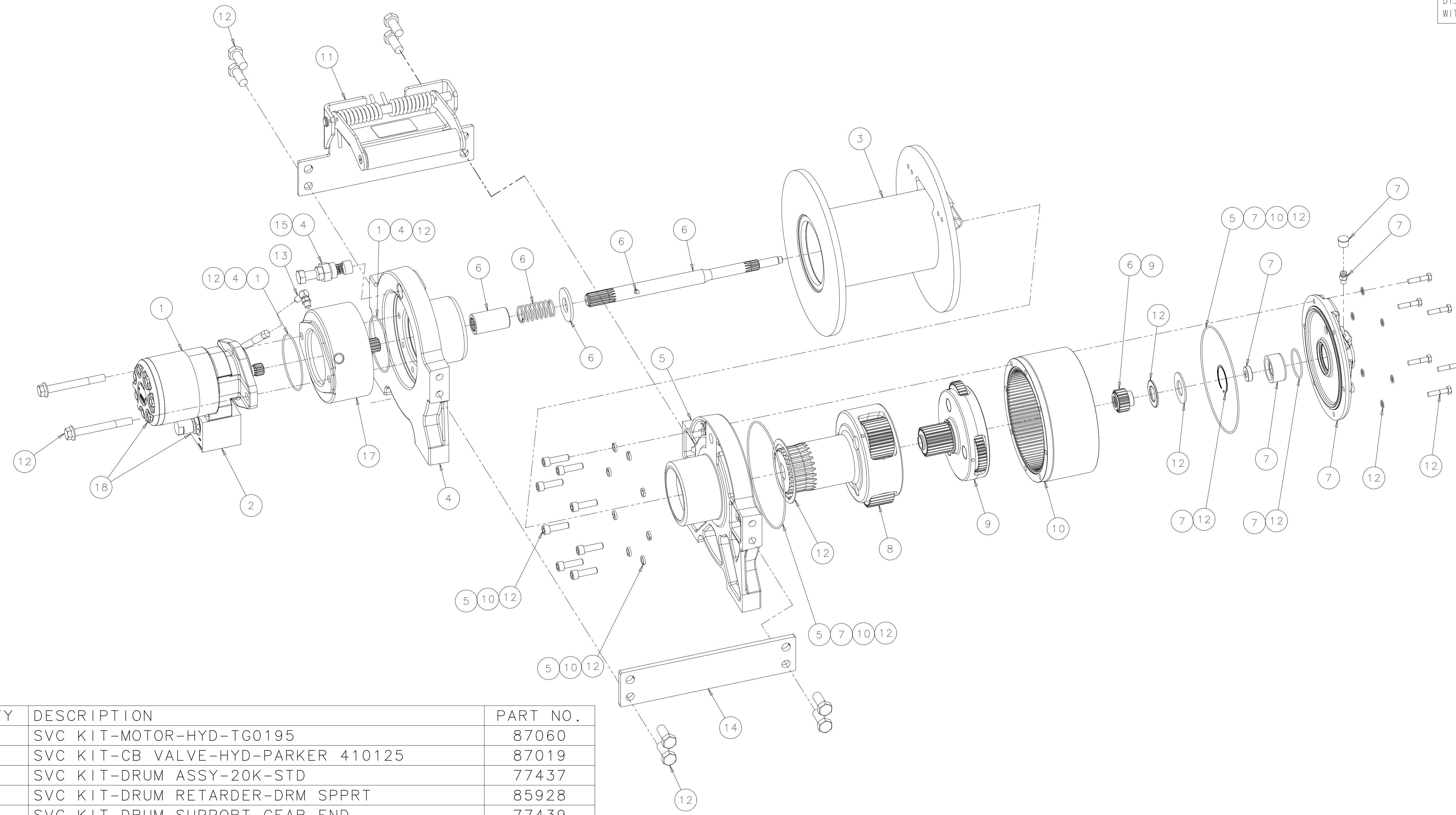


CONFIDENTIAL  
 THIS DOCUMENT CONTAINS PROPRIETARY INFORMATION OF WARN INDUSTRIES. NEITHER THIS DOCUMENT, NOR THE INFORMATION IT CONTAINS, MAY BE USED, DISCLOSED TO OTHERS, OR COPIED, WHOLE OR IN PART, WITHOUT THE WRITTEN CONSENT OF WARN INDUSTRIES.



ITEM	QTY	DESCRIPTION	PART NO.
1	1	SVC KIT-MOTOR-HYD-TG0195	87060
2	1	SVC KIT-CB VALVE-HYD-PARKER 410125	87019
3	1	SVC KIT-DRUM ASSY-20K-STD	77437
4	1	SVC KIT-DRUM RETARDER-DRM SPPRT	85928
5	1	SVC KIT-DRUM SUPPORT-GEAR END	77439
6	1	SVC KIT-DRIVESHAFT-STD	77440
7	1	SVC KIT-END HSG ASSY-AIR	77441
8	1	SVC KIT-CARRIER-STG2-6.0-4.75	77442
9	1	SVC KIT-CARRIER-STG1-6.0-4.75	77443
10	1	SVC KIT-RING GEAR	77444
11	1	SVC KIT-TENSIONER-STD	77445
12	1	SVC KIT-HARDWARE-SEAL	87057
13	1	SVC KIT-HOSE-HYD	77447
14	1	SVC KIT-TIE PLATE-STD	77448
15	1	SVC KIT-DRUM RETARDER	85975
16	1	SVC KIT-WIRE ROPE ASSY-9/16 EIPS X 140FT	77451
17	1	SVC KIT-BRAKE ASSY	77436
18	1	SVC KIT-HYD-MTR-MANF-TG0195	87287

NOTES:  
 1. WARN P/N 78970.  
 2. ITEM 16- WIRE ROPE ASSY NOT SHOWN ON THIS DRAWING.

CO	24698	TRANSITION MOTOR & CBV FROM EATON TO PARKER.	KIP
BO	24488	REPLACED PN 77438 WITH PN 85928, ADDED PN 85975	VAMA
AO	23936	RELEASE	PL
REV	E.N. NO.	DESCRIPTION OF CHANGE	PROJ. ENGR.
REVISIONS			
<b>WARN INDUSTRIES, INC.</b> 12900 S.E. CAPPS ROAD CLACKAMAS, OREGON USA 97015-8903			
DIMENSIONS & TOLERANCES IN ACCORDANCE WITH ANSI/ASME Y14.5M-1994			
THIRD ANGLE PROJECTION		SEE BOM	
DIMENSIONS ARE IN		<input type="checkbox"/> MILLIMETERS <input checked="" type="checkbox"/> INCHES	
UNSPECIFIED TOLERANCES		TITLE	
ONE PLACE DEC. (X.X) ±		RPL-WINCH ASSY-SRS	
TWO PLACE DEC. (X.XX) ±		20XL-LP-STD DRUM-AIR	
THREE PLACE DEC. (X.XXX) ±		DRWN	V-SRINIVAS
FOUR PLACE DEC. (X.XXXX) ±		DATE	2009/04/24
ANGULAR ±		PROJECT ENGR	LINES
SCALE	1:4	SHEET 1 OF 1	D 986863