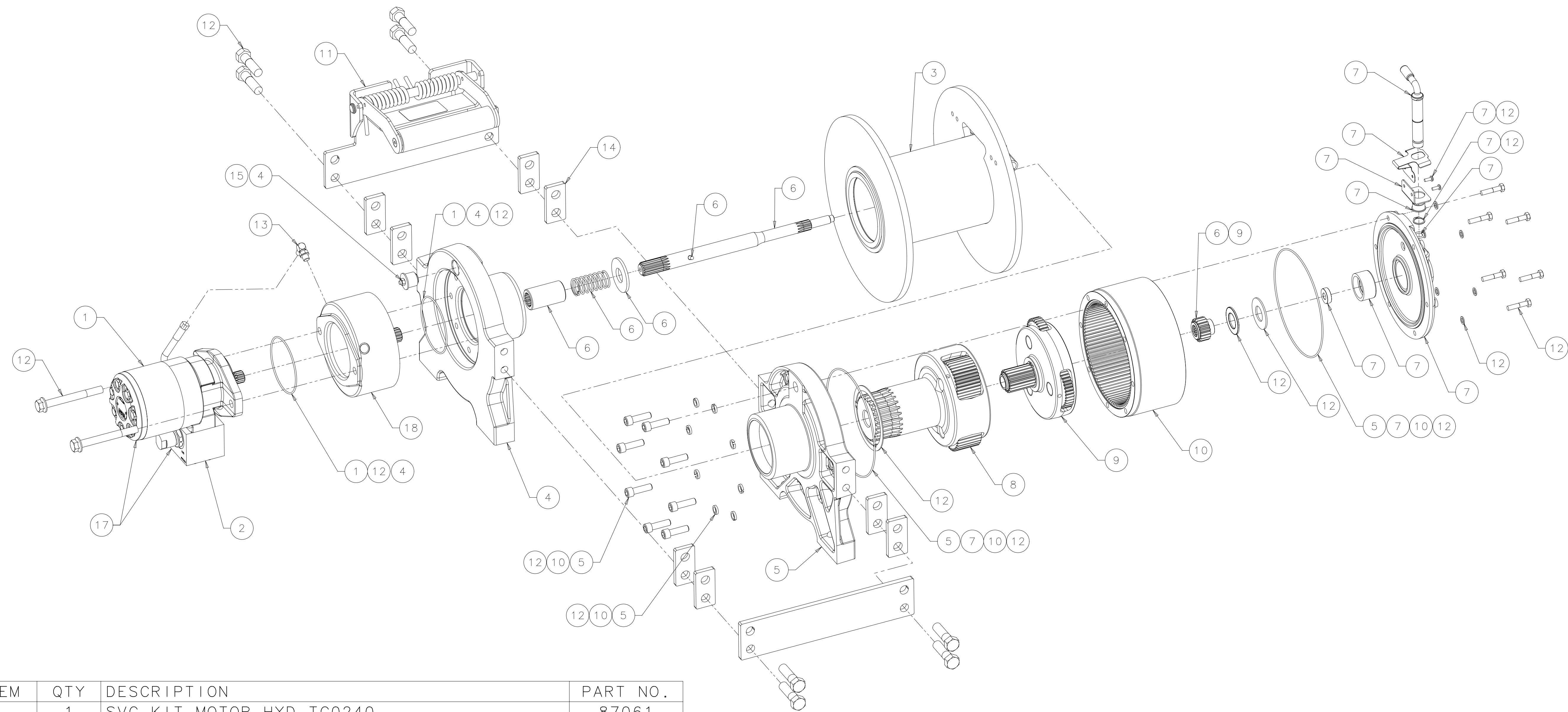


CONFIDENTIAL
 THIS DOCUMENT CONTAINS PROPRIETARY INFORMATION OF WARN INDUSTRIES. NEITHER THIS DOCUMENT, NOR THE INFORMATION IT CONTAINS, MAY BE USED, DISCLOSED TO OTHERS, OR COPIED, WHOLE OR IN PART, WITHOUT THE WRITTEN CONSENT OF WARN INDUSTRIES.



ITEM	QTY	DESCRIPTION	PART NO.
1	1	SVC KIT-MOTOR-HYD-TG0240	87061
2	1	SVC KIT-CB VALVE-HYD-PARKER 410125	87019
3	1	SVC KIT-DRUM ASSY-30K-STD	80922
4	1	SVC KIT-DRUM SUPPORT-MTR END-RETARDER	86174
5	1	SVC KIT-DRUM SUPPORT-GEAR END	77439
6	1	SVC KIT-DRIVESHAFT-STD	77440
7	1	SVC KIT-END HSG ASSY-MANUAL	79724
8	1	SVC KIT-CARRIER-STG2-6.0-6.0	80924
9	1	SVC KIT-CARRIER-STG1-6.0-6.0	80925
10	1	SVC KIT-RING GEAR	77444
11	1	SVC KIT-TENSIONER-STD	77445
12	1	SVC KIT-HARDWARE-SEAL	87057
13	1	SVC KIT-HOSE-HYD	77447
14	1	SVC KIT-TIE PLATE-STD	77448
15	1	SVC KIT-EXPANSION PLUG-1IN-RUBBER	86202
16	1	SVC KIT-WIRE ROPE ASSY-5/8 EIPS X 140FT	77453
17	1	SVC KIT-HYD-MTR-MANF-TG0240	87289
18	1	SVC KIT-BRAKE ASSY	77436

NOTES:
 1. WARN P/N 80509.
 2. ITEM 17- WIRE ROPE ASSY NOT SHOWN ON THIS DRAWING.

CO	24698	REPLACED PN 80400 WITH PN 85824	KIP
BO	24488	REPLACED PN 77438 WITH PN 86174, ADDED PN 86202	VAMA
AO	23936	RELEASE	PL
REV	E.N. NO.	DESCRIPTION OF CHANGE	PROJ. ENGR.
REVISIONS			
WARN INDUSTRIES, INC. 12900 S.E. CAPPS ROAD, CLACKAMAS, OREGON USA 97015-8903			
DIMENSIONS & TOLERANCES IN ACCORDANCE WITH ANSI/ASME Y14.5M-1994			
THIRD ANGLE PROJECTION		SEE BOM	
DIMENSIONS ARE IN <input type="checkbox"/> MILLIMETERS <input checked="" type="checkbox"/> INCHES			
UNSPECIFIED TOLERANCES		TITLE	
ONE PLACE DEC. (X.X) ±		RPL-WINCH ASSY-SRS	
TWO PLACE DEC. (X.XX) ±		30XL-LP-STD DRUM-MANUAL	
THREE PLACE DEC. (X.XXX) ±		DRAWN V-SRINIVAS	
FOUR PLACE DEC. (X.XXXX) ±		DATE 2009/04/24	
ANGULAR ±		PROJECT ENGR LINES	
SCALE	1:4	SHEET 1 OF 1	D 987025